



# AM Hybrid Transmitter

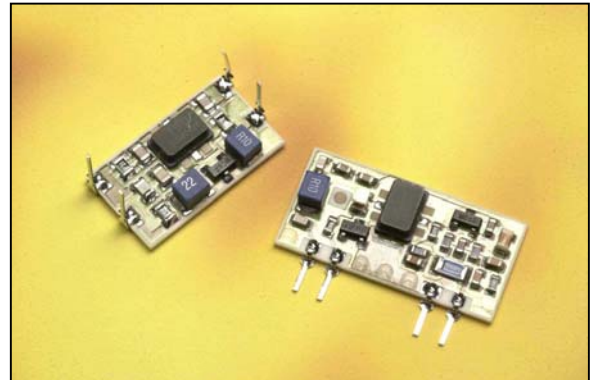
AM-RT4-XXX  
AM-RT5-XXX  
AM-RTQ4-XXX  
AM-RT14-XXX

## Features

- Complete RF Transmitter
- CMOS / TTL Input
- No Adjustable Components
- Very Stable Operating Frequency
- Low Current Consumption
- Low Spurious Emissions

## Applications

- Wireless Security Systems
- Car Alarms
- Remote Gate Controls
- Remote Sensing
- Data Capture
- Sensor Reporting



## RT4 / RT5

- Available as 315, 418, 433 MHz
- Range up to 70 metres
- Available In DIL or SIL Package
- Wide Operating Voltage

## RTQ4 / RT14

- High Output Power
- Range 100+ metres
- Available as 433, 868 MHz

## Description

The R F Solutions Ltd. AM hybrid transmitter module provides a complete RF transmitter which can be used to transmit data at up to 4KHz from any standard CMOS/TTL source.

The module is very simple to operate and offers low current consumption (typ. 4 mA). Data can be supplied directly from a microprocessor or encoding device, thus keeping the component count down and ensuring a low hardware cost.

The module exhibits extremely stable electronic characteristics due to the use of 'Thick-Film' hybrid technology, which uses no adjustable components and ensures very reliable operation.

The modules are compatible with R F solutions Ltd. range of AM receivers to provide a complete solution.

## Ordering Information

Part Number	Description
AM-RT4-XXX	DIL AM Transmitter Module XXX MHz
AM-RTQ4-XXX	DIL AM Transmitter Module XXX MHz
AM-RT5-XXX	SIL AM Transmitter Module XXX MHz
AM-RT14-XXX	DIL AM Transmitter Module XXX MHz, SAW Resonator

## Frequency Availability

RT4 / RT5:	XXX = 315, 418, 433MHz	Other Frequencies available on request
RTQ4:	XXX = 868MHz	Other Frequencies available on request
RT14:	XXX = 433MHz	Other Frequencies available on request

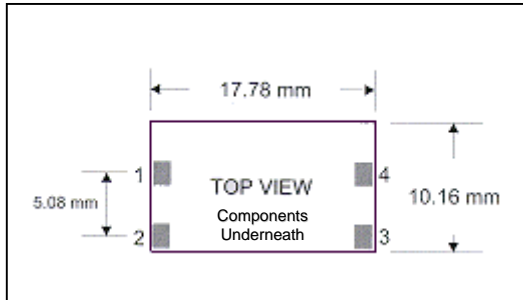




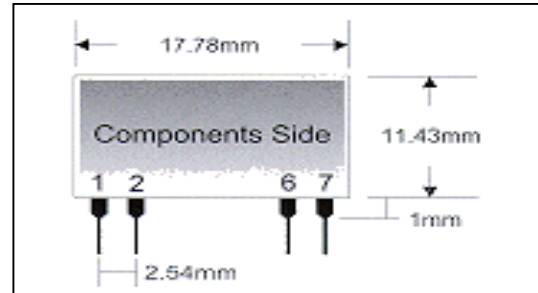
# AM Hybrid Transmitter

AM-RT4-XXX  
 AM-RT5-XXX  
 AM-RTQ4-XXX  
 AM-RT14-XXX

## Mechanical Dimensions RT4 / RTQ4 / RT14



## RT5



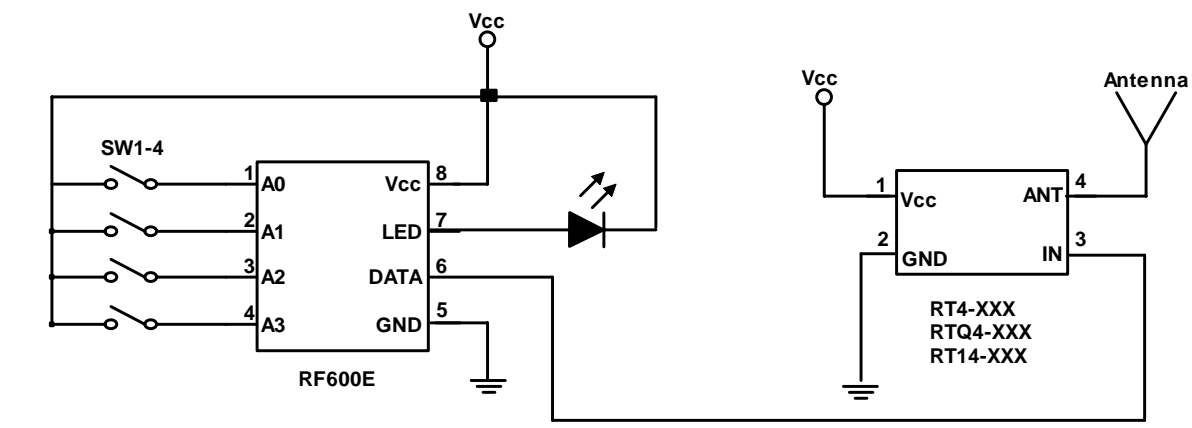
## Pin Descriptions

RT4 / RTQ4 / RT14	RT5	Name	Description
1	7	Vcc	Supply Voltage
2	6	GND	Ground, Connect to RF earth return path
3	2	IN	Data input
4	1	ANT	External Antenna

## Typical Application

For further information on this circuit please see datasheet DS600

## Transmitter Circuit





# AM Hybrid Transmitter

AM-RT4-XXX  
AM-RT5-XXX  
AM-RTQ4-XXX  
AM-RT14-XXX

## RT4/RT5: Electrical Characteristics

Ambient temp = 25°C unless otherwise stated.

Characteristic	Min.	Typ.	Max.	Dimensions
Supply Voltage	2		14	Vdc
Supply Current (Vcc=5V IN=1kHz)		4		mA
Supply Current (Vcc=5V IN=DC GND)		50		nA
Working Frequency	303.8		433.92	MHz
Frequency Tolerance			+/-100	KHz
RF Output Power into 50Ω (Vcc=5V)		0		dBm
Harmonic Spurious Emissions		-30		dBc
Input Voltage High	2		Vcc	V
Time from Power on to data transmission		10		µSec
Data Rate	50		9,600	Hz
Operating Temperature	-25		+80	°C

## RTQ4: Electrical Characteristics

Ambient temp = 25°C unless otherwise stated.

Characteristic	Min.	Typ.	Max.	Dimensions
Supply Voltage	1.9		5	Vdc
Supply Current (Vcc=5V IN=1kHz)		12		mA
Working Frequency		868.35		MHz
Frequency Tolerance	-35		+35	KHz
RF Output Power into 50Ω (Vcc=4V)	+5	+7		dBm
Harmonic Spurious Emissions		-50		dBc
Input Voltage High	0.7*Vcc			V
Power-Up			1	mSec
Data Rate	50		9,600	Hz
Operating Temperature	-25		+80	°C

## RT14: Electrical Characteristics

Ambient temp = 25°C unless otherwise stated.

Characteristic	Min.	Typ.	Max.	Dimensions
Supply Voltage	2		9	Vdc
Supply Current (Vcc=5V IN=1kHz)		8		mA
Working Frequency		433.92		MHz
RF Output Power into 50Ω (Vcc=4V)	+10	+12		dBm
Harmonic Spurious Emissions		-55		dBc
Input Voltage High	2		Vcc	V
Data Rate	50		9,600	Hz
Operating Temperature	-25		+80	°C

**R. F. Solutions Ltd.,  
Unit 21, Cliffe Industrial Estate,  
South Street, Lewes,  
E Sussex, BN8 6JL, England.**

**Tel +44 (0)1273 898 000. Fax +44 (0)1273 480 661.**

**Email: [sales@rfsolutions.co.uk](mailto:sales@rfsolutions.co.uk) Web: <http://www.rfsolutions.co.uk>**

